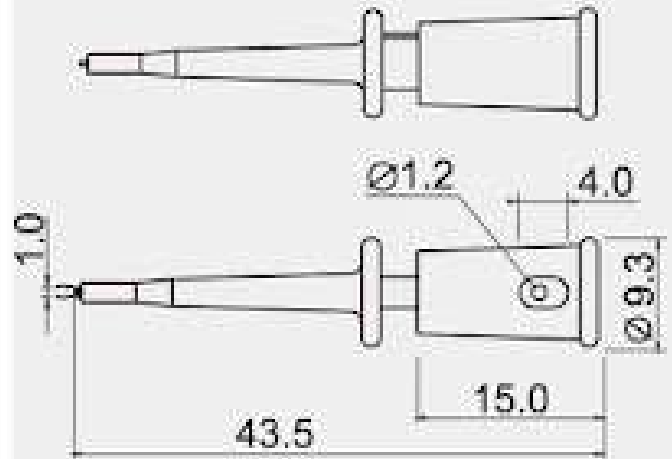
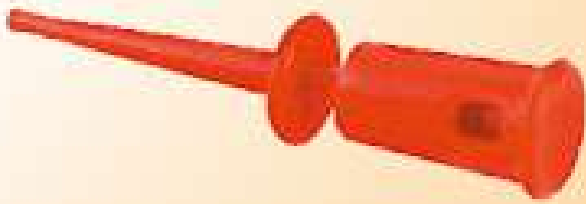


R8-105A



Red. Black.
(Blue. Yellow. Green)

DC500V 100M Ω

AC 1000V 1 minute

3A

-20°C ~ +80°C

FEATURES:

- Material:
Handle: nylon.
Clip: phosphor bronze.
- Fits 1.27mm IC lead.
- Fits O.D. less \varnothing 2.5mm wire by soldering.